



Main Features:-

- ◆ Static balancing valve
- ◆ DN50 to DN300 PN16
- ◆ Body and Bonnet in Ductile Iron
- ◆ Working Temperature -10 to +120C *
- ◆ EPDM coated disk

*Temperature and pressure determined by valve body, seat etc.

Suitable Applications & Approvals:



HVAC



OIL



GAS



INDUSTRY

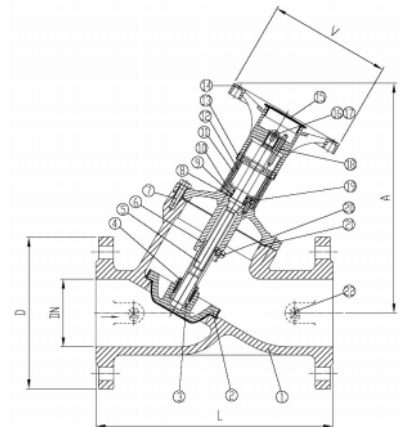


SERIES: 80612

MANUFACTURER: **GENEBRE**

VALVE MATERIALS

ITEM	SECTION	MATERIAL	ADDITIONAL INFO / OPTIONS
1	Body	GJS-450	Painted
2	Disc	ASTM A126 B + EPDM	n/a
3	Stem Nut	Cooper Alloy	n/a
4	Disc Cover	Brass	n/a
5	Stem	ASTM A276 420	n/a
6	Bonnet	GJS 420	Painted
7	Bolt	GJS 450	Painted
8	O'Ring	Carbon Steel	n/a
9	O'Ring	EPDM	n/a
10	Gland Flange	EPDM	Ni plated
11	Link Cover	ABS	n/a
12	Direction Cover	ABS	n/a
13	Scale Ring	Black Plastic	n/a
14	Handwheel	Aluminium	Painted
15	Cover	PE	n/a
16	Screw	ASTM A276 420	n/n
17	Washer	ASTM A276 420	n/a
18	Locating Screw	AISI 1035	Zn Painted
19	Screw	Carbon Steel	Zn Painted
20	Screw	ASTM A276 420	n/a
21	Gasket	EPDM	n/a
22	Plug	Brass	n/a



GENEBRE

Genebre is a leading company and world reference in fluid control and high-quality taps. They control all the creation processes, responding to the specific needs of each market: from the initial concept and design of the product to the production and commercialization.



T +44 (0)1386 552369

E sales@allvalves.co.uk

W www.allvalves.co.uk

F +44 (0)1386 554227



Genebre are a global brand of industrial valves with large stocks held for fast delivery on various type of valves, sizes, end connections and materials.

SERIES: 80612

TORQUE / Kv VALUES / DIMENSIONS

REF	SIZE	DN	D	L	A	V	KG	ALL VALVES
80612-09	2"	50	165	230	276	180	11.4	AllValves Online™ have used decades of experience in the valve industry to select a range of products that match the Allvalves Online ethos - value for money. All Valves Products are from reputable sources and have been sold in significant quantities for many years, are installed in a wide variety of applications, and are known to be durable in service.
80612-10	2 1/2"	65	185	290	308	180	16.5	
80612-11	3"	80	200	310	320	180	19.3	
80612-12	4"	100	220	350	340	180	27	
80612-13	5"	125	250	400	375	240	41	
80612-14	6"	150	285	480	410	240	55	
80612-16	8"	200	340	600	550	350	100	
80612-18	10"	250	400	730	590	350	158	
80612-20	12"	300	455	850	678	450	213	

Handwheel position	DN50	DN65	DN80	DN100	DN125	DN150	DN200	DN250	DN300	TORQUE :
1	6.9	14.5	18.5	37.2	64.3	89.6	87.3	113.4	163.4	- The liquid listed in the table are initial breakaway torques, taken with liquids and lubricant media. - Please regard these as approximate values, as the objective value on different factors like pressure, medium, rubber, KV VALUES: - The Kv values (M3 per hour) is the flow of water at a temperature of 5C to 30C (41F to 86F) at p of 1 bar - For further information, please email sales@allvalves.co.uk
2	12.2	27.5	32.7	69.4	104.4	146.3	160.6	173.5	295.3	
3	18.3	40.5	50.8	102.5	150.5	213.4	240.5	241.8	455.5	
4	25.5	53.2	71.8	133.5	196.7	275.6	331.4	318.5	643.5	
5	33.9	64.4	89.7	163.4	241.5	338.4	420.3	413.4	852.4	
6	40.2	73.4	107.3	189.6	280.4	404.5	498.5	523.5	1037.6	
7	44.4	81.6	118.8	213.5	309.5	448.6	573.6	630.6	1197.8	
8	47.3	86.6	131.2	230.4	331.3	478.2	641.4	727.8	1384.8	
9	-	-	-	-	-	-	704.6	819.6	1568.1	
10	-	-	-	-	-	-	764.5	918.1	1739.0	
11	-	-	-	-	-	-	811.9	1018.2	1919.4	
12	-	-	-	-	-	-	865.6	1116.3	2099.4	

ALL VALVES

Offering a full range of actuated valve packages, manual valve range, pipe fittings and pumps, we have a product for all your requirements. As an ISO 9001-2015 Quality Approved and certified company, All Valves offer a quality service from pre-sale to post sale. Shipping millions of pounds in value of manual valve and actuated valve packages all over the world since its formation, All Valves are a trusted valve and actuator supplier to many companies all over the world. Working with the leading brands in most industries.

